

TE 640 3D BW/16

for flush heavy-duty doors with claddings up to 16 mm (0.630") on both sides



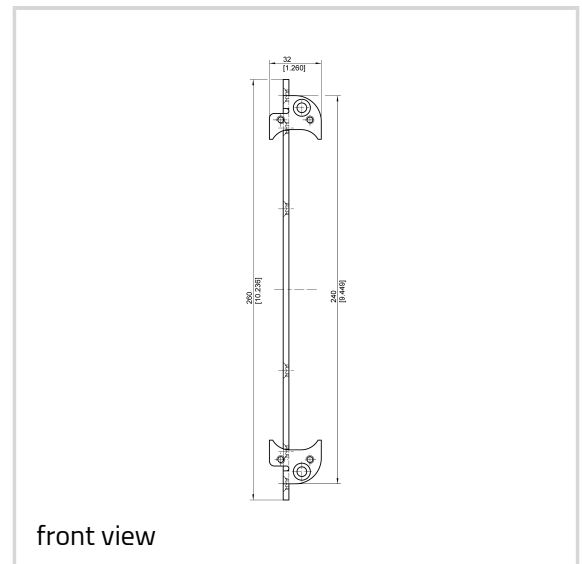
Technical information

Detail	Value
Load capacity	264.0 lbs 120.0 kg

Note

The load capacity mentioned above refers to the use of 2 hinges per door leaf (1 x 2 m (39.370 x 78.740")).

The cladding must be excluded in the hinge area.



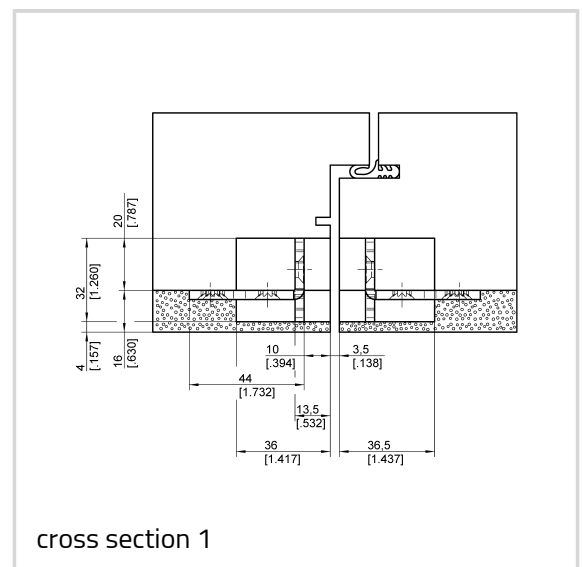
front view

Combinations

TE 640 3D

Item

Finish(es)	blue galvanized (010)
OF-NR.	010
VPE	pack of 10
DIN	non-handed
Item No.	5 401681 0 01006
EAN	4015471130640



cross section 1

